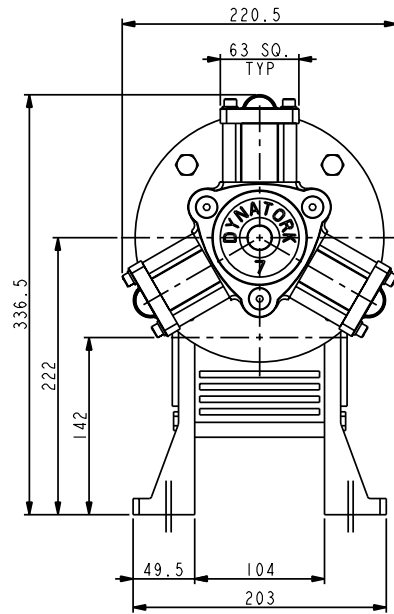
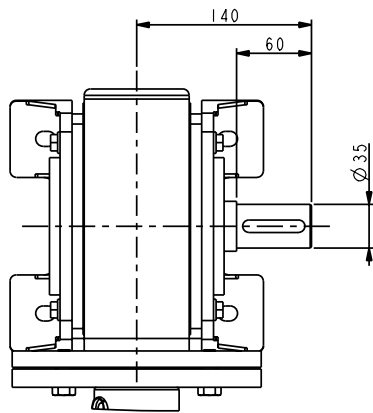
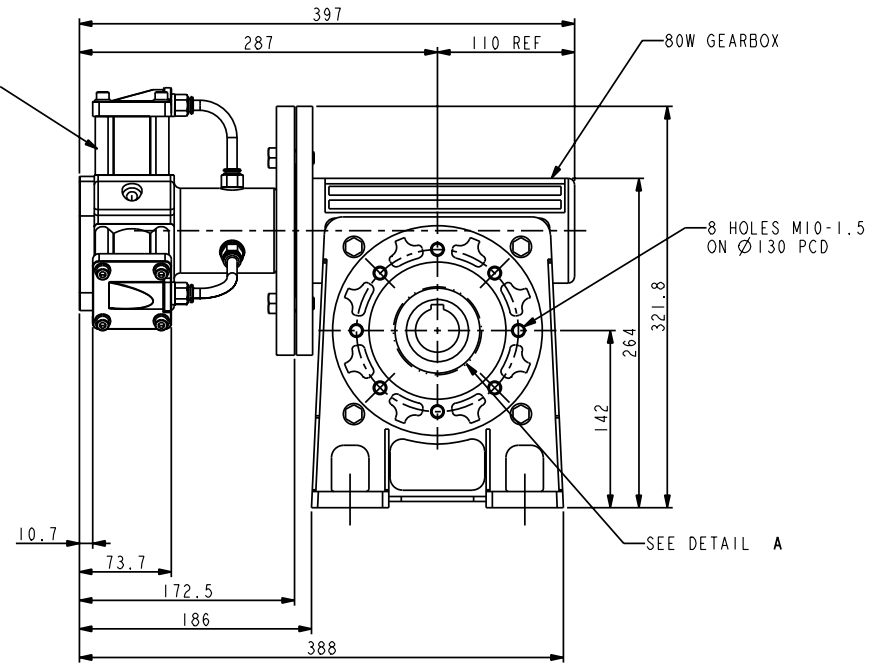


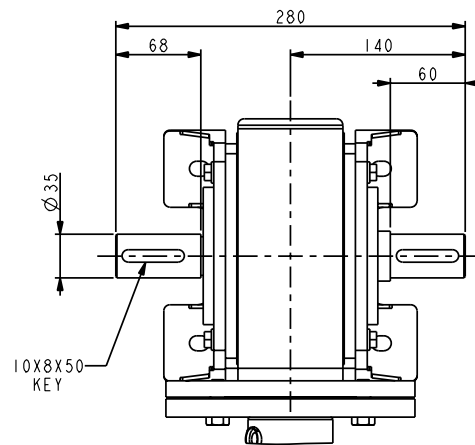
DETAIL A
SCALE 1.000



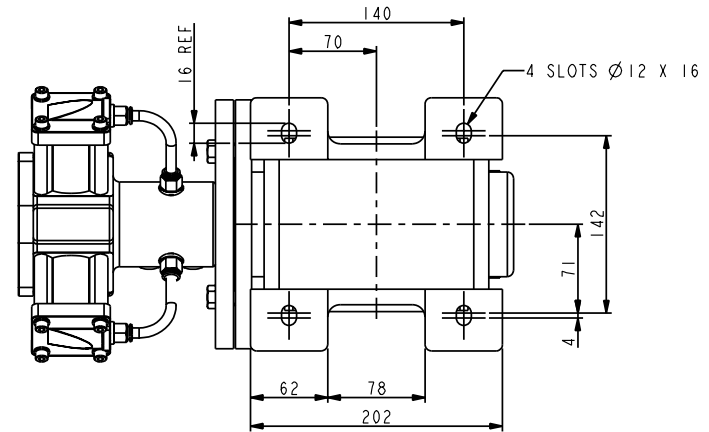
DYNATORK 7



SINGLE-ENDED SHAFT
DETAILS



DOUBLE-ENDED SHAFT
DETAILS



A		ISS DETAILS		INITIALS	DATE
REMOVE SHARP EDGES	ALL DIMENSIONS IN MM	<input checked="" type="checkbox"/> MACHINE TO 3.2um UNLESS OTHERWISE STATED	IF IN DOUBT, ASK!		
TOLERANCING UNLESS OTHERWISE STATED 0 NO DECIMAL PLACES ±0.5 0.0 ONE DECIMAL PLACE ±0.2 0.00 TWO DECIMAL PLACES ±0.1 ANGULAR ±1°	MATERIAL N/A	A2	THIS DRAWING IS COPYRIGHT PROTECTED AND SHALL NOT BE REPRODUCED OR DISCLOSED TO A THIRD PARTY WITHOUT THE EXPRESS WRITTEN PERMISSION OF ENGINEERING PROJECT SERVICES		
DRN BY AJH	DATE 06/02	CHK BY IT	DYNATORK AIR MOTORS 2 BENNETT RD., MAPPERLEY, NOTTINGHAM, NG3 6BU TEL +44(0)115 969 2893 FAX +44(0)115 985 8768 WWW.DYNATORK.CO.UK		
SCALE 0.35:1	PROJECTION 3RD ANGLE	PROJECT DYNATORK 7	TITLE DYNATORK 7 80W7		ISS
			DRAWING NUMBER D7_80W7_ALUM		