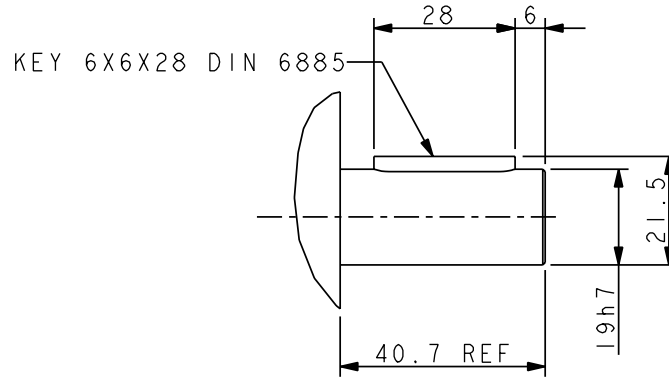
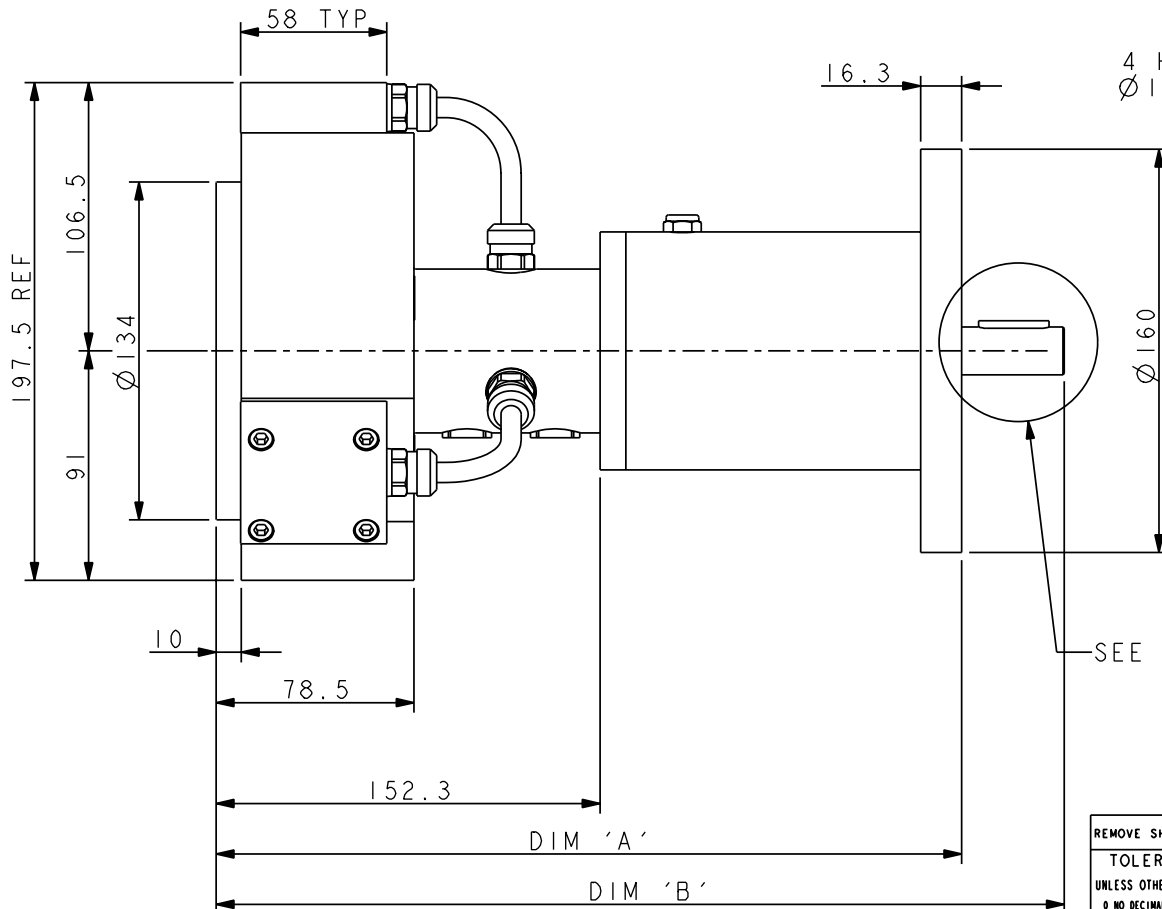


3J81	DIM 'A'	DIM 'B'
1-STAGE	296MM	336.5MM
2-STAGE	318MM	358.5MM
3-STAGE	340MM	380.5MM

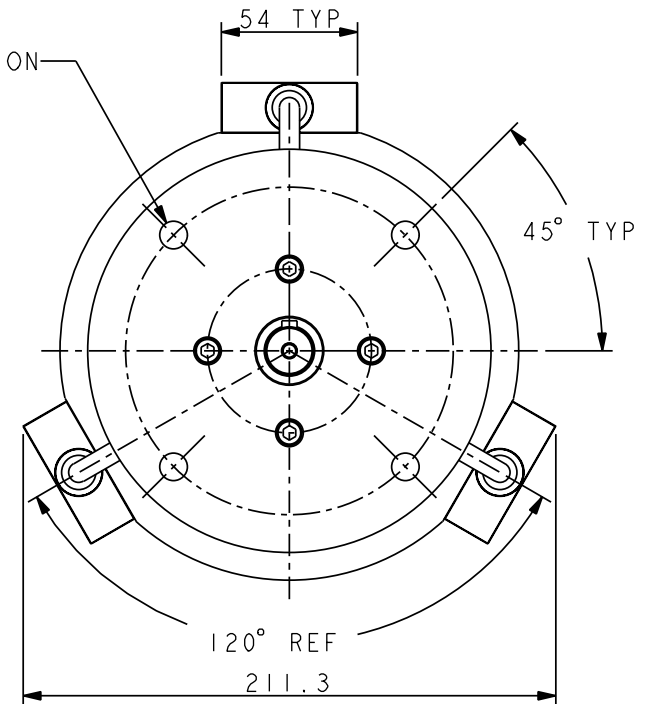


DETAIL A  
SCALE 1:1



4 HOLES  $\varnothing 11$  ON  
 $\varnothing 130$  P.C.D.

SEE DETAIL A



A		ISS DETAILS		INITIALS	DATE
REMOVE SHARP EDGES	ALL DIMENSIONS IN MM	<input checked="" type="checkbox"/> MACHINE TO 3.2um UNLESS OTHERWISE STATED	IF IN DOUBT, ASK!		
TOLERANCING UNLESS OTHERWISE STATED 0 NO DECIMAL PLACES $\pm 0.5$ 0.0 ONE DECIMAL PLACES $\pm 0.2$ 0.00 TWO DECIMAL PLACES $\pm 0.1$ ANGULAR $\pm 1'$	MATERIAL N/A	A3	THIS DRAWING IS COPYRIGHT PROTECTED AND SHALL NOT BE REPRODUCED OR DISCLOSED TO A THIRD PARTY WITHOUT THE EXPRESS WRITTEN PERMISSION OF ENGINEERING PROJECT SERVICES		
DRN BY AJH	DATE 30/6/02	CHK BY IT	TITLE DYNATORK 3A81		
SCALE 1:2	PROJECTION 3RD ANGLE	PROJECT	DRAWING NUMBER D3_3A81_ACET		ISS

UNLESS OTHERWISE STATED  
0 NO DECIMAL PLACES  $\pm 0.5$   
0.0 ONE DECIMAL PLACES  $\pm 0.2$   
0.00 TWO DECIMAL PLACES  $\pm 0.1$   
ANGULAR  $\pm 1'$

MATERIAL  
N/A

A3  
DRN BY  
AJH  
DATE  
30/6/02

INITIALS  
DATE  
THIS DRAWING IS COPYRIGHT PROTECTED AND SHALL NOT BE REPRODUCED OR DISCLOSED TO A THIRD PARTY WITHOUT THE EXPRESS WRITTEN PERMISSION OF ENGINEERING PROJECT SERVICES  
DYNATORK AIR MOTORS  
TEL +44(0)115 969 2893  
FAX +44(0)115 985 8768  
WWW.DYNATORK.CO.UK  
2 BENNETT RD., MAPPERLEY, NOTTINGHAM, NG3 6BU  
TITLE  
DYNATORK 3A81  
DRAWING NUMBER  
D3\_3A81\_ACET  
ISS