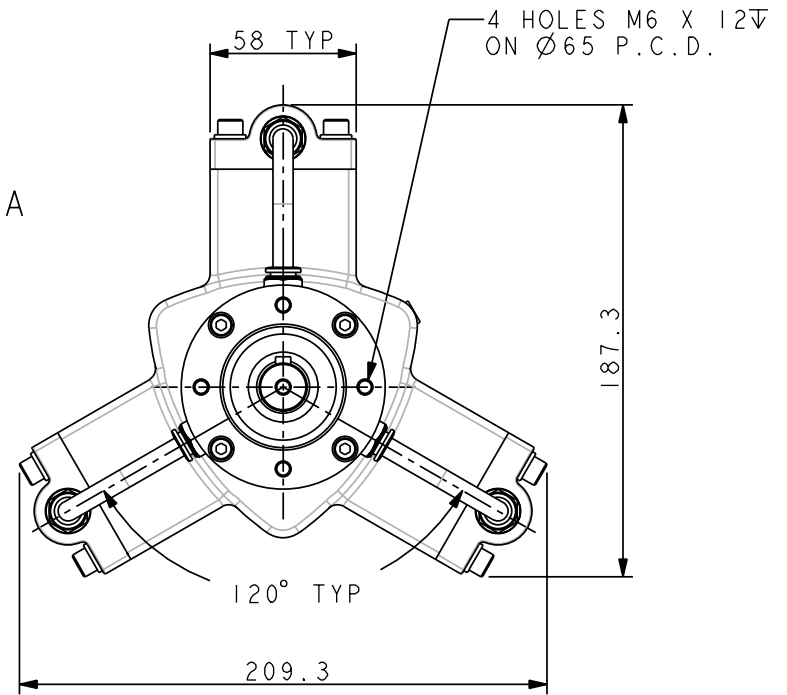
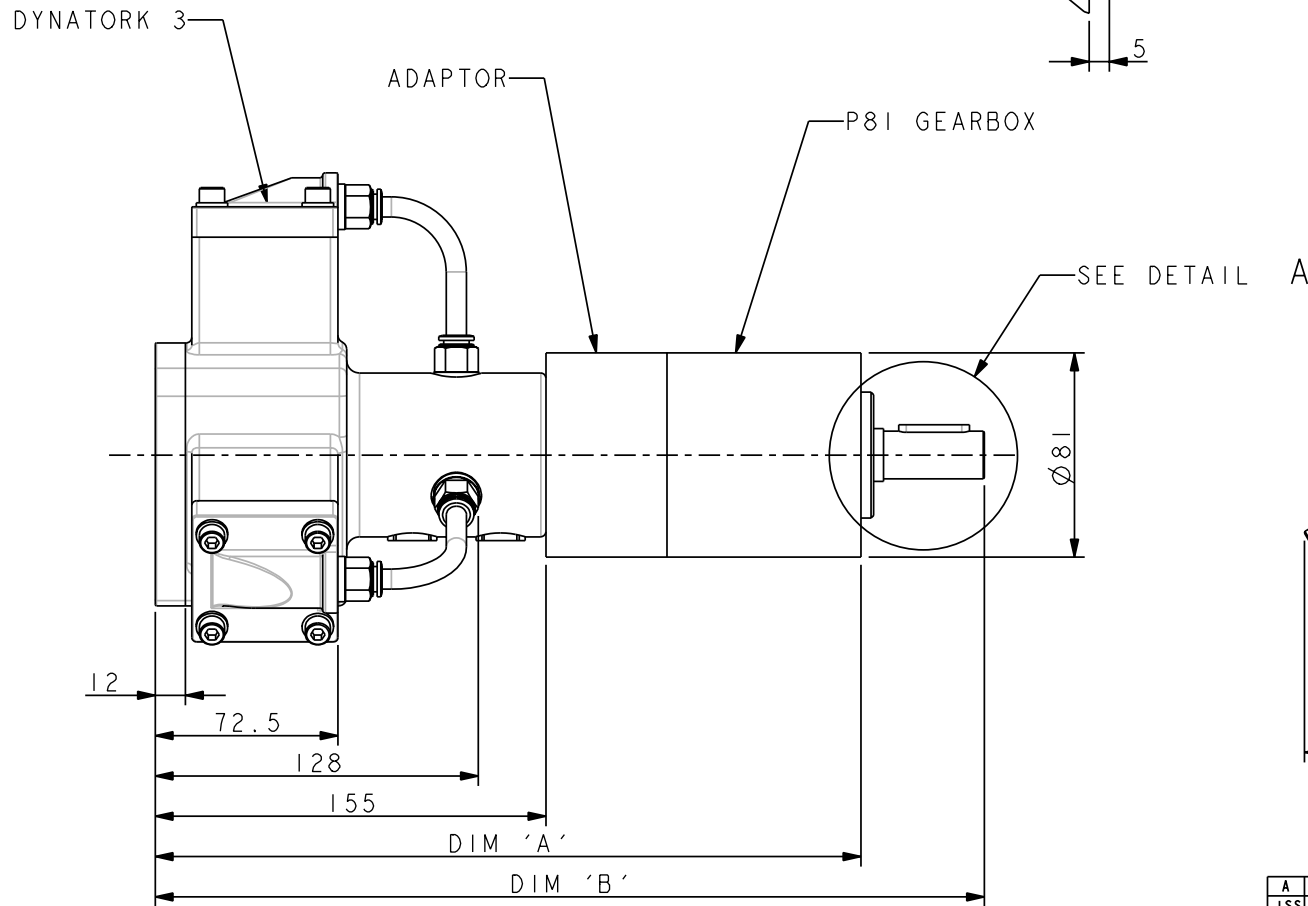
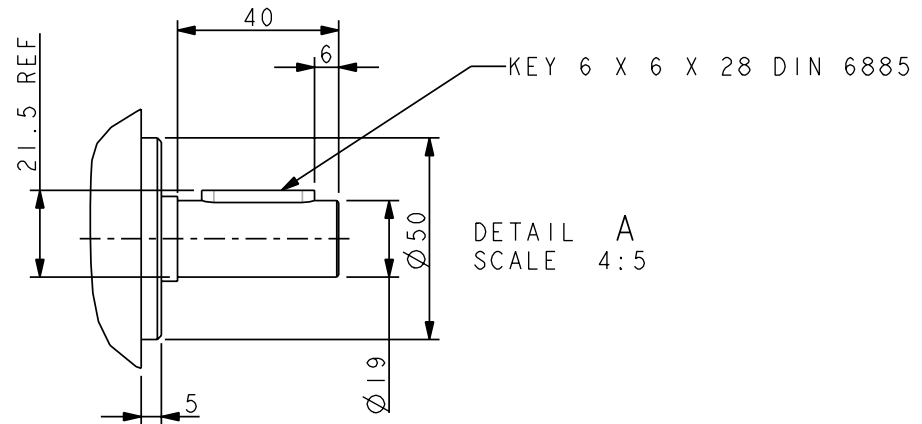


3J81	DIM 'A'	DIM 'B'
1-STAGE	280MM	329MM
2-STAGE	302MM	351MM
3-STAGE	324MM	373MM



A		ISS DETAILS		INITIALS	DATE
REMOVE SHARP EDGES	ALL DIMENSIONS IN MM	<input checked="" type="checkbox"/> MACHINE TO 3.2um UNLESS OTHERWISE STATED	IF IN DOUBT, ASK!		
TOLERANCING UNLESS OTHERWISE STATED	MATERIAL	A3	THIS DRAWING IS COPYRIGHT PROTECTED AND SHALL NOT BE REPRODUCED OR DISCLOSED TO A THIRD PARTY WITHOUT THE EXPRESS WRITTEN PERMISSION OF ENGINEERING PROJECT SERVICES		
0 NO DECIMAL PLACES ±0.5	N/A	DRN BY AJH	CHK BY IT	DYNATORK AIR MOTORS TEL +44(0)115 969 2893 FAX +44(0)115 985 8768 WWW.DYNATORK.CO.UK	
0.0 ONE DECIMAL PLACES ±0.2		DATE 06/02	PROJECT DYNATORK3	TITLE DYNATORK 3J81	
0.00 TWO DECIMAL PLACES ±0.1	SCALE PROJECTION	1:2 3RD ANGLE	DRAWING NUMBER	ISS	
ANGULAR ±1'			D3_3J81_ALUM		