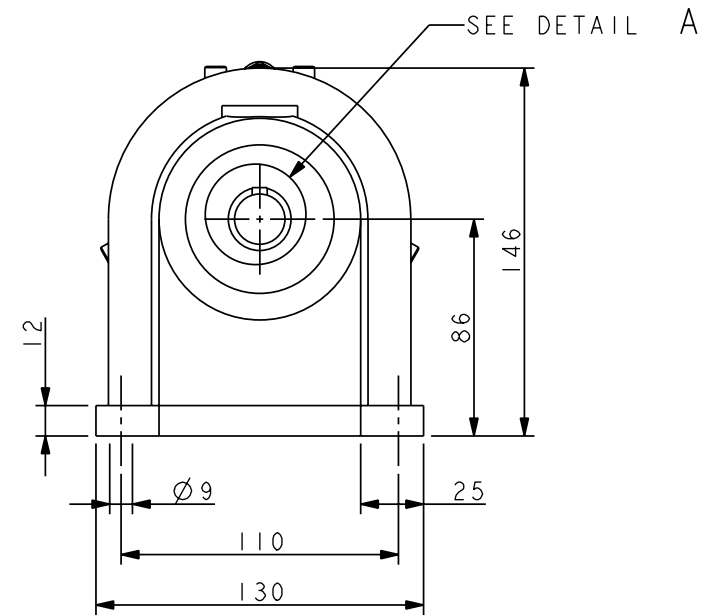
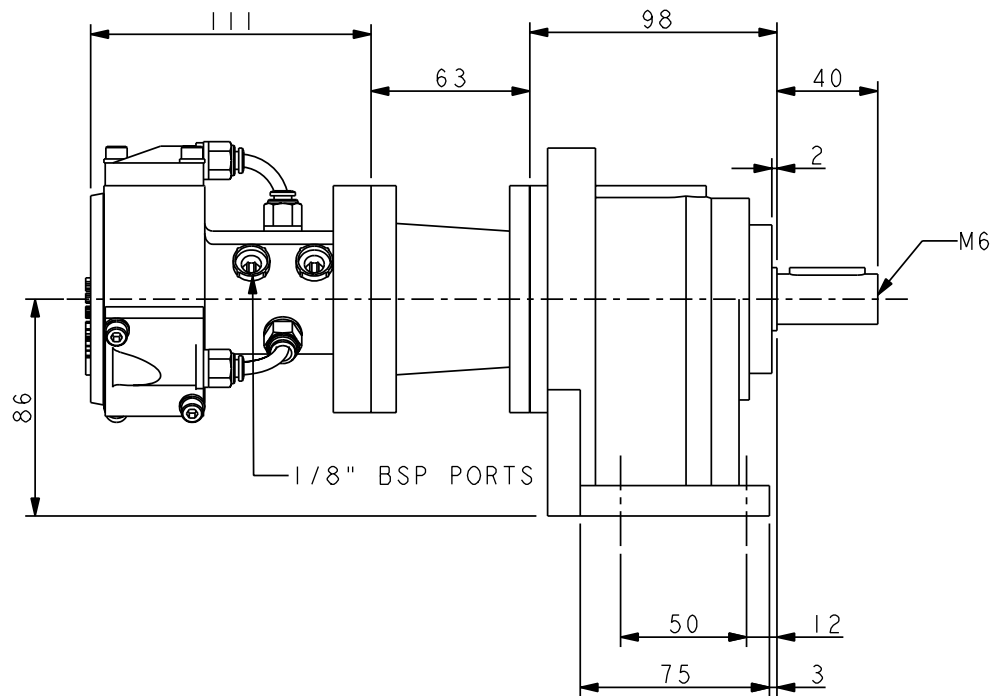



DETAIL A
SCALE 1:1



A		ISS DETAILS		INITIALS	DATE
REMOVE SHARP EDGES	ALL DIMENSIONS IN MM	<input checked="" type="checkbox"/> MACHINE TO 3.2um UNLESS OTHERWISE STATED	IF IN DOUBT, ASK!		
TOLERANCING UNLESS OTHERWISE STATED 0 NO DECIMAL PLACES ±0.5 0.0 ONE DECIMAL PLACES ±0.2 0.00 TWO DECIMAL PLACES ±0.1 ANGULAR ±1'	MATERIAL N/A	A3	THIS DRAWING IS COPYRIGHT PROTECTED AND SHALL NOT BE REPRODUCED OR DISCLOSED TO A THIRD PARTY WITHOUT THE EXPRESS WRITTEN PERMISSION OF ENGINEERING PROJECT SERVICES	 DYNATORK AIR MOTORS TEL +44(0)115 969 2893 FAX +44(0)115 985 8768 WWW.DYNATORK.CO.UK 2 BENNETT RD., MAPPERLEY, NOTTINGHAM, NG3 6BU	
DRN BY AJH	CHK BY IT	TITLE DYNATORK I_3RI		DRAWING NUMBER DI_3RI	
SCALE 1:2	PROJECTION 3RD ANGLE	DATE 10/02	PROJECT DYNATORK I	ISS	