



Gearboxes



Crossed Helical Reduction Gearbox

Heavy Duty & Hardened Gears 1:1 - 5:1

Material

Case:

Alum. HE30TF

Gears:

Alloy Steel 655M13
(EN36) Hardened

Performance

Weight:

0.255kg

Backlash:

1°

Hours Life:

12000 hr

Max Input Speed:

4000 Rpm

Greased for life:

(L2M Hellenic)

Extras

Output Shafts:

E20-X

E20-DX

Output Key:

KK2-22

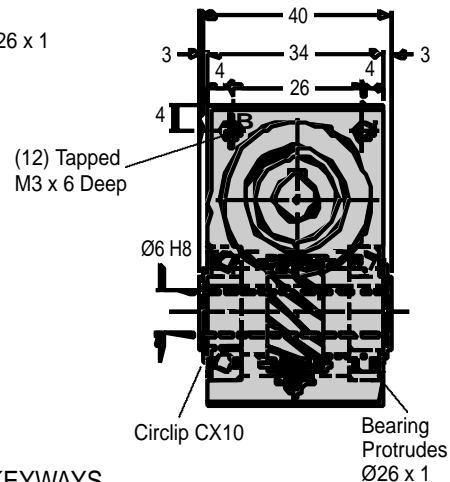
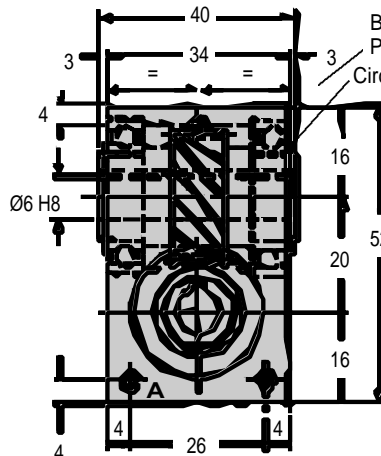
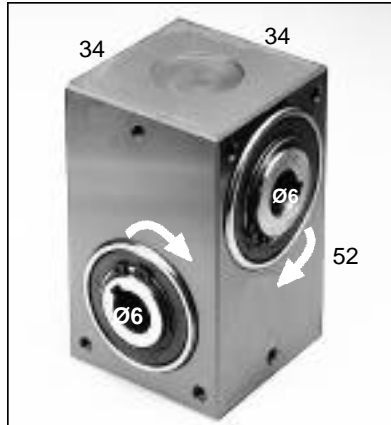
R/H Helicals are Standard.

L/H available at E20-SP

Special bores are available - including different sizes, metric & imperial.

Please fax your inquiry

E20 Type



INPUT & OUTPUT FIXINGS ARE BY 2mm KEYWAYS

Ratio		1:1	2:1	3:1	4:1	
N.m. OUTPUT TORQUE	Rpm Input	3000	0.60	0.60	0.60	0.60
		2000	0.70	0.70	0.70	0.70
		1000	1.00	1.00	1.00	1.00
		500	1.40	1.40	1.40	1.40
		100	1.80	1.80	1.80	1.80
		50	1.90	1.90	1.90	1.90
		10	2.00	2.00	2.00	2.00

PART NUMBER	Ratio	Input Face	%Efficiency at 1000 Rpm	Max. Input Speed	Max. Output Speed	Price Each 1 - 5
E20-1	1:1	A	88	4000	4000	
E20-2	2:1	A	86	4000	2000	
E20-3	3:1	A	85	4000	1333	
E20-4	4:1	A	84	4000	1000	
E20-SP	1:1 - 5:1		Special Ratios			





Gearboxes



Crossed Helical Reduction Gearbox

Heavy Duty & Hardened Gears 1:1 - 5:1

Material

Case:

Alum. HE30TF

Gears:

Alloy Steel 655M13
(EN36) Hardened

Performance

Weight:

0.72kg

Backlash:

1°

Hours Life:

12000 hr

Max Input Speed:

4000 Rpm

Greased for life:

(L2M Hellenic)

Extras

Output Shafts:

E30-X

E30-DX

Output Key:

KK3-30

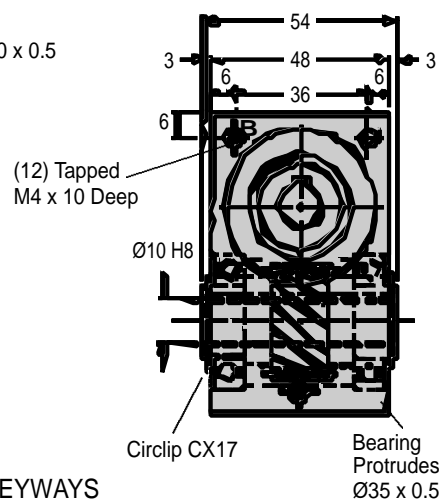
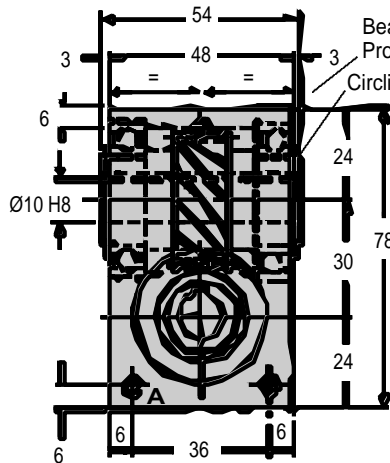
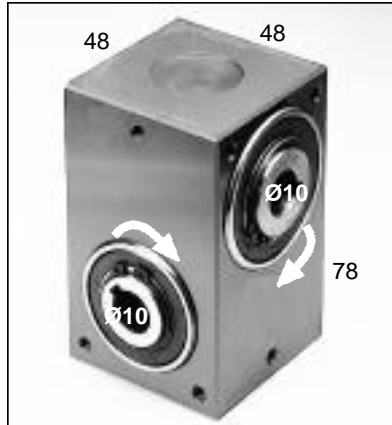
R/H Helicals are Standard.

L/H available at E30-SP

Special bores are available - including different sizes, metric & imperial, and metric 6 tooth spline design.

Please fax your inquiry

E30 Type



INPUT & OUTPUT FIXINGS ARE BY 3mm KEYWAYS

Ratio		1:1	2:1	3:1	4:1	
N.m. OUTPUT TORQUE	Rpm Input	3000	1.50	1.50	1.50	1.50
		2000	2.00	2.00	2.00	2.00
		1000	2.50	2.50	2.50	2.50
		500	3.00	3.00	3.00	3.00
		100	4.00	4.00	4.00	4.00
		50	4.50	4.50	4.50	4.50
		10	5.00	5.00	5.00	5.00

PART NUMBER	Ratio	Input Face	%Efficiency at 1000 Rpm	Max. Input Speed	Max. Output Speed	Price Each 1 - 5
E30-1	1:1	B	90	4000	4000	
E30-2	2:1	A	88	4000	2000	
E30-3	3:1	A	87	4000	1333	
E30-4	4:1	A	86	4000	1000	
E30-SP	1:1 - 5:1		Special Ratios			





Gearboxes



Crossed Helical Reduction Gearbox

Heavy Duty & Hardened Gears 1:1 - 5:1

Material

Case:

Alum. HE30TF

Gears:

Alloy Steel 655M13
(EN36) Hardened

Performance

Weight:

1.67kg

Backlash:

1°

Hours Life:

12000 hr

Max Input Speed:

4000 Rpm

Greased for life:

(L2M Hellenic)

Extras

Output Shafts:

E40-X

E40-DX

Output Key:

KK5-35

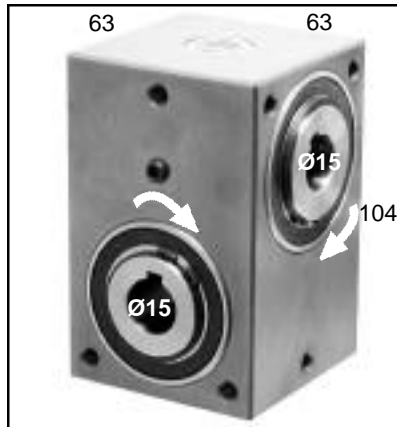
R/H Helicals are Standard.

L/H available at E40-SP

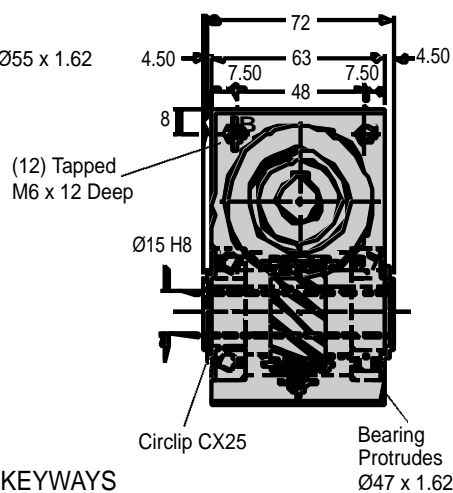
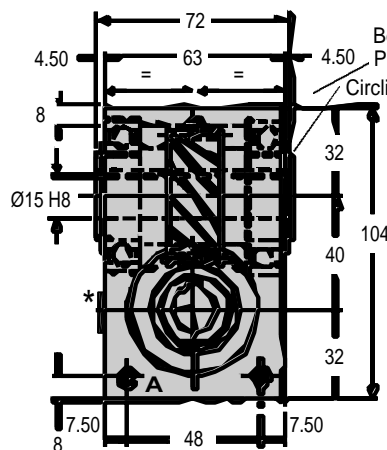
Special bores are available - including different sizes, metric & imperial, and metric 6 tooth spline design.

Please fax your inquiry

E40 Type



* 1/8" BSP Pressure plug fitted on one face as std.



INPUT & OUTPUT FIXINGS ARE BY 5mm KEYWAYS

Ratio		1:1	2:1	3:1	4:1	
N.m. OUTPUT TORQUE	Rpm Input	3000	2.30	2.30	2.30	2.30
	2000	2.80	2.80	2.80	2.80	2.80
	1000	3.80	3.80	3.80	3.80	3.80
	500	5.00	5.00	5.00	5.00	5.00
	100	8.00	8.00	8.00	8.00	8.00
	50	9.00	9.00	9.00	9.00	9.00
	10	10.00	10.00	10.00	10.00	10.00

PART NUMBER	Ratio	Input Face	%Efficiency at 1000 Rpm	Max. Input Speed	Max. Output Speed	Price Each 1 - 5
E40-1	1:1	B	92	4000	4000	
E40-2	2:1	A	90	4000	2000	
E40-3	3:1	A	89	4000	1333	
E40-4	4:1	A	88	4000	1000	
E40-SP	1:1 - 5:1		Special Ratios			





Gearboxes



Crossed Helical Reduction Gearbox

Heavy Duty & Hardened Gears 1:1 - 5:1

Material

Case:

Alum. HE30TF

Gears:

Alloy Steel 655M13
(EN36) Hardened

Performance

Weight:

3.18kg

Backlash:

1°

Hours Life:

12000 hr

Max Input Speed:

3000 Rpm

Greased for life:

(L2M Hellenic)

Extras

Output Shafts:

E50-X

E50-DX

Output Key:

KK6-50

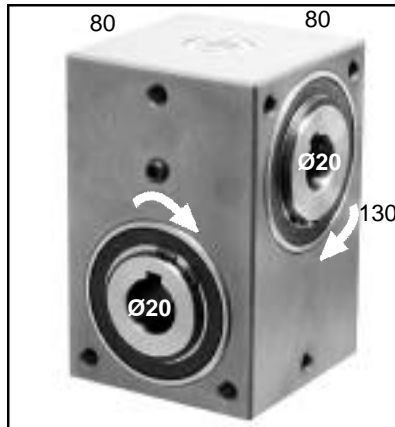
R/H Helicals are Standard.

L/H available at E50-SP

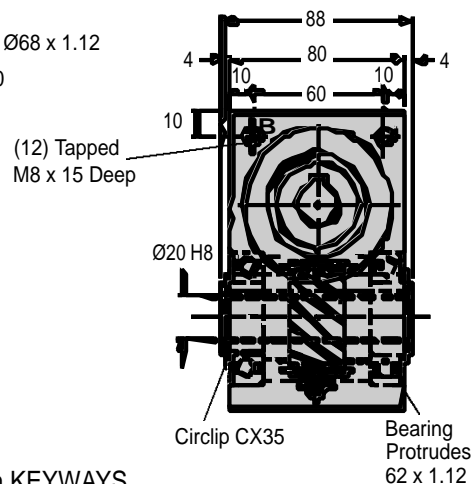
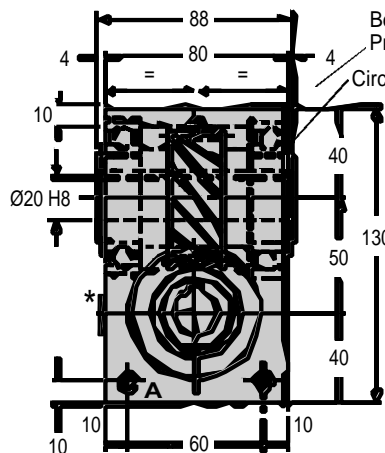
Special bores are available - including different sizes, metric & imperial, and metric 6 tooth spline design.

Please fax your inquiry

E50 Type



* 1/8" BSP Pressure plug fitted on one face as std.



INPUT & OUTPUT FIXINGS ARE BY 6mm KEYWAYS

Ratio		1:1	2:1	3:1	4:1	
N.m. OUTPUT TORQUE	Rpm Input	3000	3.00	3.00	3.00	3.00
	2000	4.00	4.00	4.00	4.00	4.00
	1000	6.00	6.00	6.00	6.00	6.00
	500	8.00	8.00	8.00	8.00	8.00
	100	12.00	12.00	12.00	12.00	12.00
	50	14.00	14.00	14.00	14.00	14.00
	10	16.00	16.00	16.00	16.00	16.00

PART NUMBER	Ratio	Input Face	%Efficiency at 1000 Rpm	Max. Input Speed	Max. Output Speed	Price Each 1 - 5
E50-1	1:1	B	93	3000	3000	
E50-2	2:1	A	91	3000	1500	
E50-3	3:1	A	90	3000	1000	
E50-4	4:1	A	89	3000	750	
E50-SP	1:1 - 5:1		Special Ratios			





Gearboxes



Crossed Helical Reduction Gearbox

Heavy Duty & Hardened Gears 1:1 - 5:1

Material

Case:

Alum. HE30TF

Gears:

Alloy Steel 655M13
(EN36) Hardened

Performance

Weight:

5.5kg

Backlash:

1°

Hours Life:

12000 hr

Max Input Speed:

3000 Rpm

Greased for life:

(L2M Hellenic)

Extras

Output Shafts:

E60-X

E60-DX

Output Key:

KK8-7-50

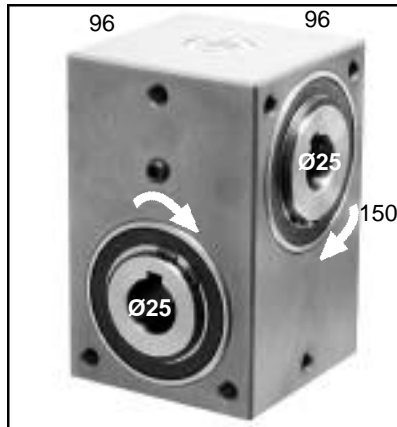
R/H Helicals are Standard.

L/H available at E60-SP

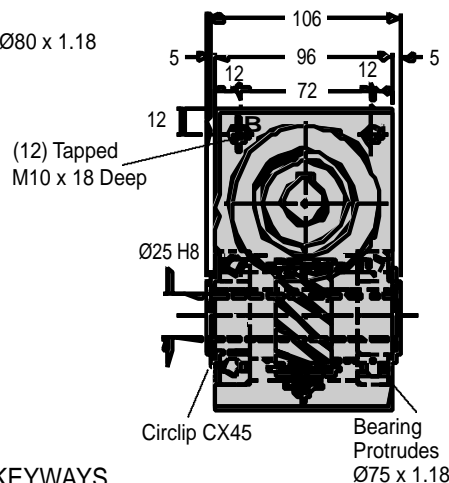
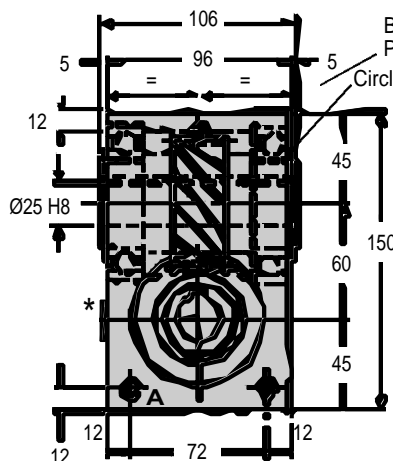
Special bores are available - including different sizes, metric & imperial, and metric 6 tooth spline design.

Please fax your inquiry

E60 Type



* 1/8" BSP Pressure plug fitted on one face as std.



INPUT & OUTPUT FIXINGS ARE BY 8mm KEYWAYS

Ratio		1:1	2:1	3:1	4:1	
N.m. OUTPUT TORQUE	Rpm Input	3000	4.50	4.50	4.50	4.50
	2000	5.50	5.50	5.50	5.50	
	1000	8.00	8.00	8.00	8.00	
	500	10.00	10.00	10.00	10.00	
	100	16.00	16.00	16.00	16.00	
	50	20.00	20.00	20.00	20.00	
	10	24.00	24.00	24.00	24.00	

PART NUMBER	Ratio	Input Face	%Efficiency at 1000 Rpm	Max. Input Speed	Max. Output Speed	Price Each 1 - 5
E60-1	1:1	B	94	3000	3000	
E60-2	2:1	A	92	3000	1500	
E60-3	3:1	A	91	3000	1000	
E60-4	4:1	A	90	3000	750	
E60-SP	1:1 - 5:1		Special Ratios			

