



## Gearboxes



# High Bevel Reduction Gearbox

## Heavy Duty 6:1 - 24:1

### Material

Case:

Aluminium

Gear:

655M13(EN36)

Hardened

### Performance

Weight:

1.05kg

Backlash:

Depends on ratio

Hours Life:

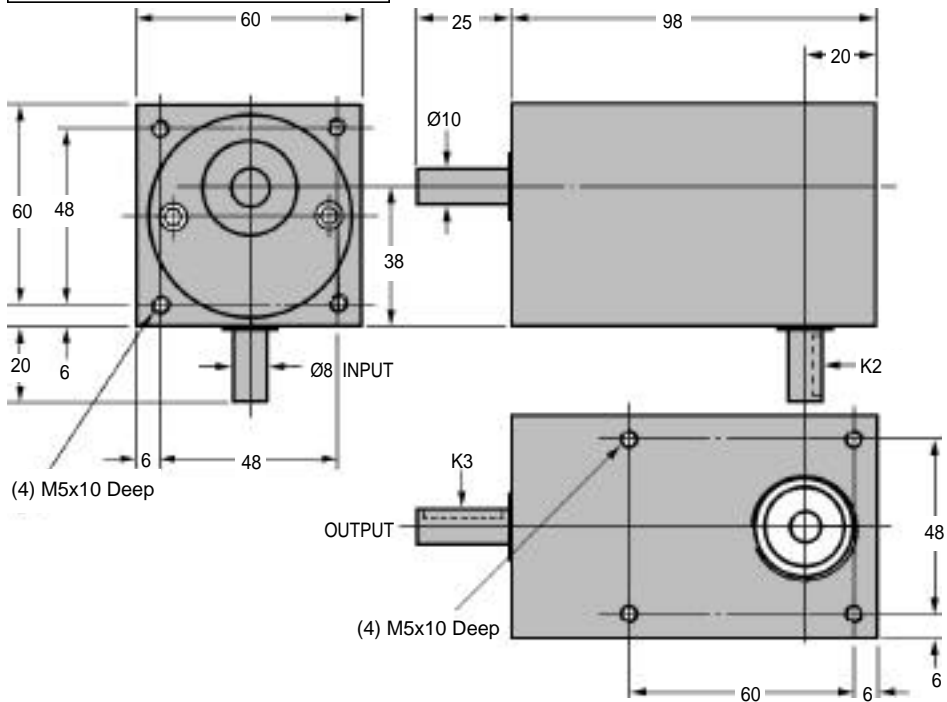
12000 hr

Max Input Speed:

4000 Rpm

Greased for life:  
(L2EP Hellenic)

### BLN30 Type



Ratio		6:1	12:1	18:1	24:1	
<b>N.m. OUTPUT TORQUE</b>	<b>Rpm Input</b>	<b>3000</b>	5.00	5.80	6.10	6.50
		<b>2000</b>	5.30	6.30	6.80	7.20
		<b>1000</b>	6.00	7.20	7.60	8.10
		<b>500</b>	7.70	8.40	8.80	9.10
		<b>100</b>	10.00	10.90	11.60	12.20
		<b>50</b>	11.20	12.40	13.20	14.00
	<b>10</b>	13.00	14.00	15.00	15.50	

PART NUMBER	Ratio	Max. Input Speed	Max. Output Speed	%Efficiency at 1000 Rpm	N.m. Output at 1000 Rpm	Price Each 1 - 5
BLN30-24	24:1	4000	166.66	88	8.10	
BLN30-18	18:1	4000	222.22	88	7.60	
BLN30-12	12:1	4000	333.33	88	7.20	
BLN30-6	6:1	4000	666.66	88	6.00	

