

## Bevel Tee Gearbox Right Angled Drive 1:1 - 4:1

### Material

**Case:**  
Alum. HE30TF

**Bevel:**  
Medium Carbon  
Steel 080M40(EN8)

### Performance

**Weight:**  
0.55kg

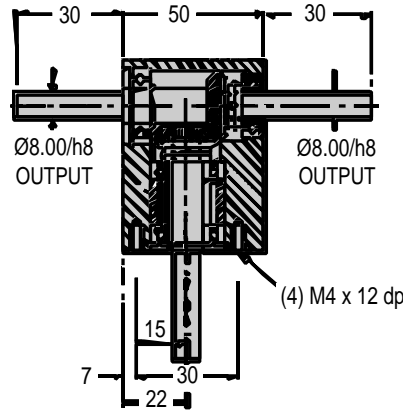
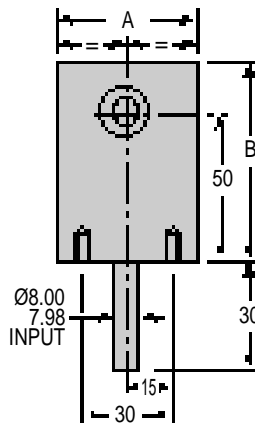
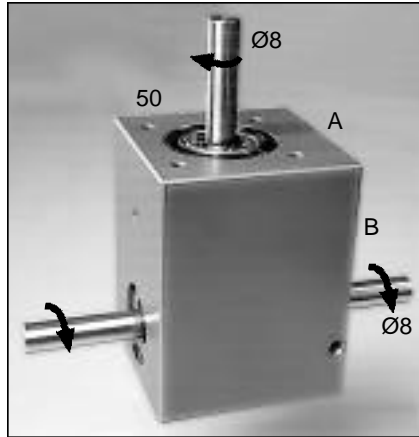
**Backlash:**  
1°

**Hours Life:**  
12000 hr

**Max Input Speed:**  
2000 Rpm

**Greased for life:**  
(L2EP Hellenic)

### BL8 Type



Ratio		1:1	2:1	3:1	4:1	
<b>N.m. OUTPUT TORQUE</b>	<b>Rpm Input</b>	<b>2000</b>	0.40	0.20	0.50	0.80
		<b>1000</b>	0.50	0.30	0.50	0.90
		<b>500</b>	0.50	0.30	0.60	1.10
		<b>200</b>	0.60	0.40	0.70	1.30
		<b>100</b>	0.70	0.40	0.80	1.40
		<b>50</b>	0.80	0.40	0.90	1.60
		<b>10</b>	1.00	0.60	1.20	2.00

PART NUMBER	Ratio	%Efficiency at 1000 Rpm	Max. Input Speed	Max. Output Speed	A	B	Module	Nm Output at 1000Rpm	Price Each 1 - 5
BL8-1	1:1	88	2000	2000	50	65	0.8	0.50	
BL8-2	2:1	88	2000	1000	50	65	0.8	0.30	
BL8-3	3:1	88	2000	666	50	75	0.8	0.50	
BL8-4	4:1	88	2000	500	60	80	0.8	0.90	
BL8-XH	1:1 - 4:1			Hardened Gears (= Nm x 2)					



## Gearboxes



# Bevel Tee Gearbox

## Right Angled Drive 1:1 - 4:1

### Material

Case:  
Alum. HE30TF

Bevel:  
Medium Carbon  
Steel 080M40(EN8)

### Performance

Weight:  
1.7kg

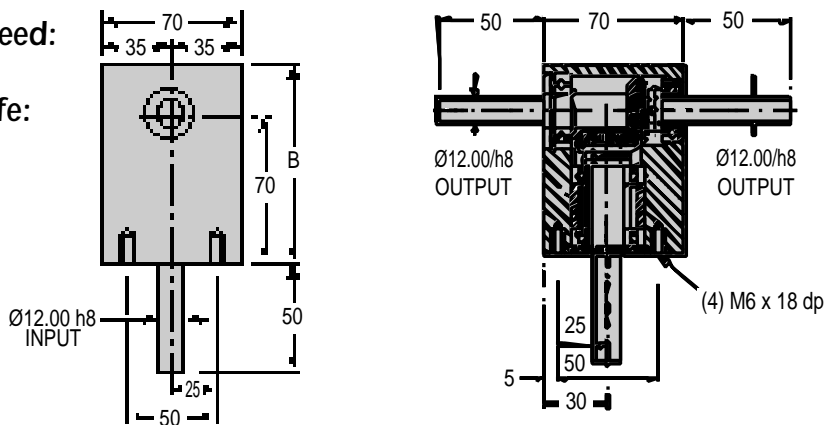
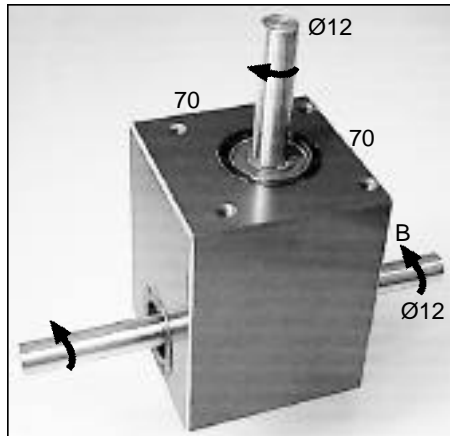
Backlash:  
1°

Hours Life:  
12000 hr

Max Input Speed:  
2000 Rpm

Greased for life:  
(L2EP Hellenic)

### BL15 Type



Ratio		1:1	2:1	3:1	4:1
<b>N.m. OUTPUT TORQUE</b>	<b>Rpm Input</b>				
	2000	2.00	1.10	2.30	2.20
	1000	2.30	1.20	2.60	2.50
	500	2.70	1.40	3.00	2.80
	200	3.20	1.70	3.60	3.40
	100	3.50	2.00	4.00	3.70
	50	3.90	2.20	4.50	4.20
	10	5.00	2.90	6.00	5.50

PART NUMBER	Ratio	%Efficiency at 1000 Rpm	Max. Input Speed	Max. Output Speed	B	Module	Nm Output at 1000Rpm	Price Each 1 - 5
BL15-1	1:1	88	2000	2000	90	1.50	2.30	
BL15-2	2:1	88	2000	1000	105	1.50	1.20	
BL15-3	3:1	88	2000	666	110	1.50	2.60	
BL15-4	4:1	88	2000	500	120	1.00	2.50	
BL15-XH	1:1 - 4:1		Hardened Gears (= Nm x 2)					





## Gearboxes



# Bevel Tee Gearbox

Right Angled Drive & Hardened Teeth 1:1

### Material

Case:

Alum. HE30TF

Bevel:

Medium Carbon Steel 080M40(EN8)

### Performance

Weight:

1.3kg

Backlash:

1°

Hours Life:

12000 hr

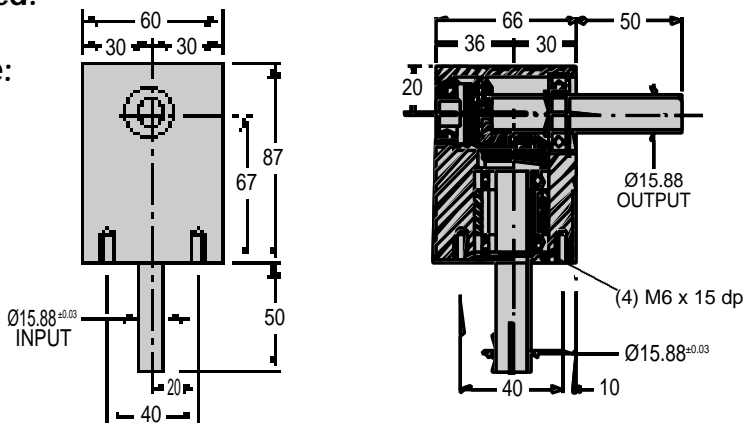
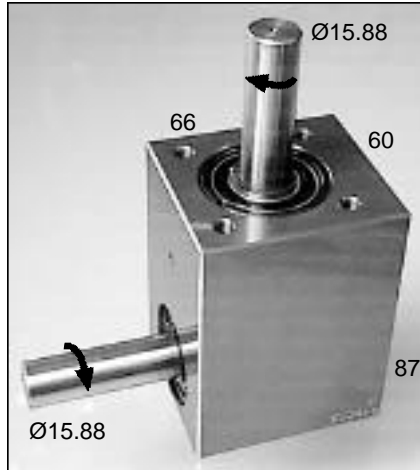
Max Input Speed:

2000 Rpm

Greased for life:

(L2EP Hellenic)

### BL18 Type



Ratio		1:1	1:1 Hardened
<b>N.m. OUTPUT TORQUE</b>	<b>Rpm Input</b>		
	2000	2.00	4.00
	1000	2.30	4.60
	500	2.70	5.40
	200	3.20	6.40
	100	3.50	7.00
	50	3.90	7.80
10	5.00	10.00	

PART NUMBER	Ratio	%Efficiency at 1000 Rpm	Max. Input Speed	Max. Output Speed	Module	Nm Output at 1000Rpm	Price Each 1 - 5
BL18-1	1:1	88	2000	2000	1.5	2.30	
BL18-XH-1	1:1 Hardened	88	2000	2000	1.5	4.60	



Mechanical Components Inc. Toll Free: 1-888-260-7466 Fax: 516-867-5656