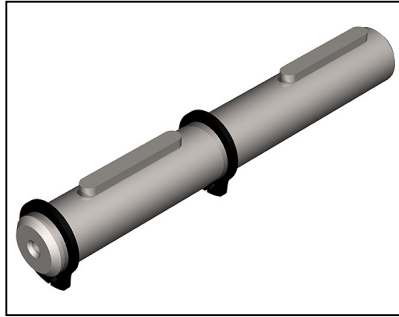


# GEARBOXES

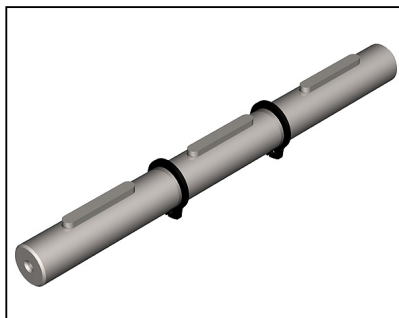
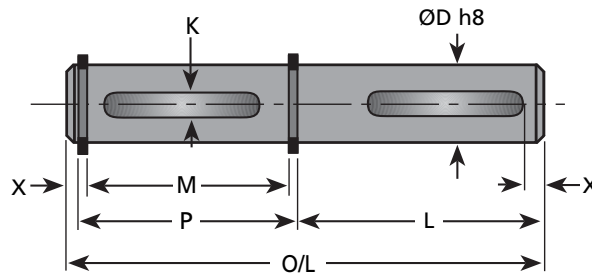
## Gearbox Output Shafts Single & Double Sided For P Type Worm Gear Reducers

e-cad  
Drawings  
Available

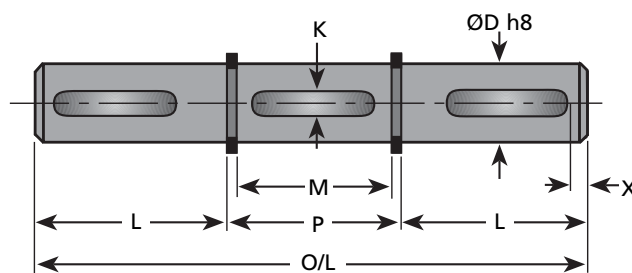
**P-X**  
**P-DX**



**P-X Type Single Sided**



**P-DX Type Double Sided**



Part Number	ØD	O/L	M	P	X	L	K
<b>SINGLE SIDED</b>							
P20-X	6	50.80	22	23.60	3.00	25	K2 x 22
P30-X	8	63.90	28	29.80	3.00	32	K2 x 22
P40-X	10	76.60	32	34.20	3.50	40	K3 x 20
P45-X	12	88.10	38	40.20	4.00	45	K4 x 25
P55-X	15	101.10	46	48.20	4.00	50	K5 x 30
P60-X	20	119.80	54	56.60	4.50	60	K6 x 32
P70-X	25	135.80	60	62.60	4.50	70	K8 x 40
<b>DOUBLE SIDED</b>							
P20-DX	6	73.60	22	23.60	1.50	25	K2 x 22
P30-DX	8	93.80	28	29.80	5.45	32	K2 x 22
P40-DX	10	114.20	32	34.20	9.90	40	K3 x 20
P45-DX	12	130.20	38	40.20	4.00	45	K4 x 25
P55-DX	15	148.20	46	48.20	9.90	50	K5 x 30
P60-DX	20	176.60	54	56.60	4.50	60	K6 x 32
P70-DX	25	202.50	60	62.60	4.50	70	K8 x 40

### Material

Stainless Steel 303 shaft, steel keys and circlips.

### Other Info.

Steel keys and circlips included. P-X & P-DX suitable for P & PF Type Gearboxes.

Stainless keys and circlips may be available in certain sizes at extra cost.

Special shafts to your own design are available.



[sales@rinomechanical.com](mailto:sales@rinomechanical.com)



[www.rinomechanical.com](http://www.rinomechanical.com)

**rino**