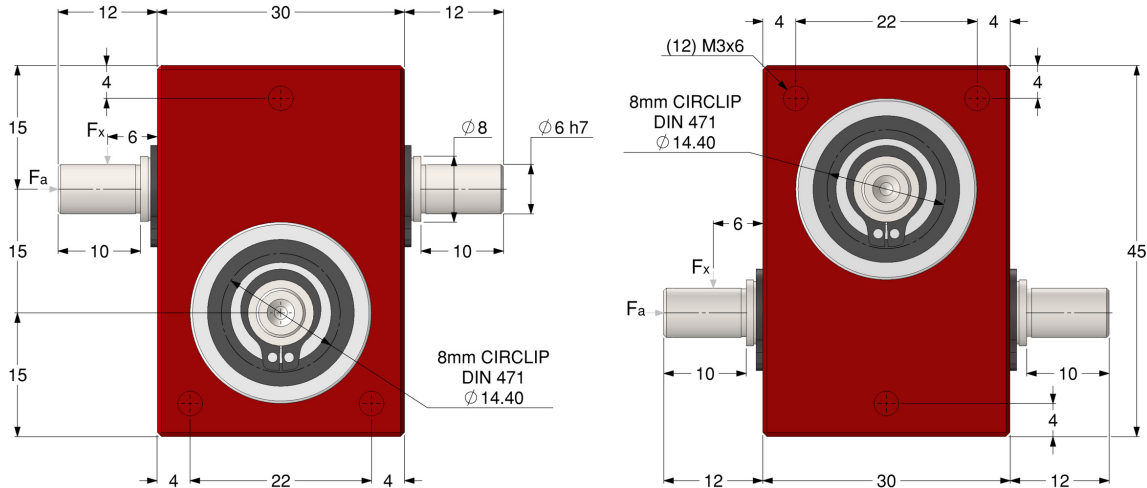
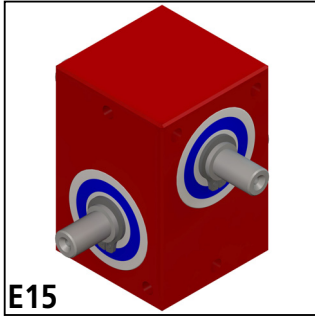


E15e-cad
Drawings
Available

GEARBOXES

Right Angle Helical Reducers Heavy Duty 6mm Shafts 0.4-2.53Nm 1:1 - 40:1



Part Number	Ratio	Type	Input Face	Efficiency at 1000 Rpm	Max Input Speed	Reflected Inertia at Input (kg.m ²)	Self Locking Output	
E15-1	1:1	Helical	A	88%	4000	3.762 x 10 ⁻⁶	✘	
E15-2	2:1	Helical	A	86%	4000	2.349 x 10 ⁻⁶	✘	
E15-3	3:1	Helical	A	85%	4000	2.011 x 10 ⁻⁶	✘	
E15-4	4:1	Helical	A	84%	4000	1.986 x 10 ⁻⁶	✘	
E15-5	5:1	Helical	A	80%	4000	1.544 x 10 ⁻⁶	✘	
E15-8	8:1	Wormwheel	A	80%	2000	1.622 x 10 ⁻⁶	✘	
E15-10	10:1	Wormwheel	A	73%	2000	1.609 x 10 ⁻⁶	✘	
E15-20	20:1	Wormwheel	A	67%	2000	1.593 x 10 ⁻⁶	✔	
E15-40	40:1	Wormwheel	A	60%	2000	1.589 x 10 ⁻⁶	✔	
E15-SP	1:1 - 40:1	Special Ratios: Replace SP with required ratio						
E15-SPA	1:1 - 40:1	Low Backlash ≤30': Replace SP with required ratio						
E15-SPLH	1:1 - 40:1	Left Hand Helicals: Replace SP with required ratio						

Material

See end of document for component material specifications and standards.

Performance

Weight: 0.255kg. **Greased for life:** Shell Alvania Grease HDX2.**Self Locking Output:** Subject to ratio and only applies in static condition. Amount of locking effect may vary due to manufacturing processes.**Maximum Overhung Loads at 1000rpm:** Overhung Load (F_x) = 15kg.**Maximum Thrust Loads at 1000rpm:** Thrust Load (F_a) = 10kg.**Standard Backlash:** ≈1°.

Output Torque Nm

Rpm Input	Reduction Ratio									
	1:1	2:1	3:1	4:1	5:1	8:1	10:1	20:1	40:1	
3000	0.40	0.40	0.40	0.40	0.40	-	-	-	-	
2000	0.46	0.46	0.46	0.46	0.46	0.69	0.79	0.90	1.00	
1000	0.66	0.66	0.66	0.66	0.66	0.86	0.97	1.08	1.19	
500	0.92	0.92	0.92	0.92	0.92	1.27	1.37	1.47	1.56	
100	1.19	1.19	1.19	1.19	1.19	1.72	1.78	1.87	1.95	
50	1.25	1.25	1.25	1.25	1.25	1.95	2.07	2.18	2.24	
10	1.32	1.32	1.32	1.32	1.32	2.39	2.44	2.51	2.53	

Extras

Special shaft sizes and other modifications are available. Please contact Technical Sales department.

Other Info.

Testing in your application is necessary. You will need to assess duty cycles and confirm suitability with your own calculations. Figures listed are for guidance only.

Toll Free!
**1-888-260-7466****516-867-5656**