

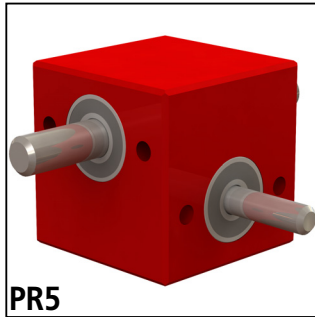
GEARBOXES

e-cad
Drawings
Available

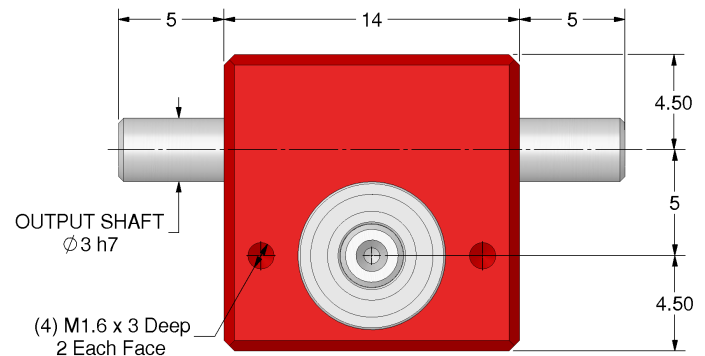
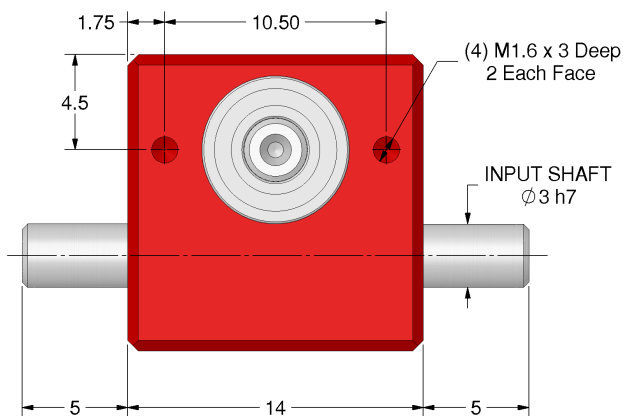
PR5

Miniature Precision Worm Gear Reducers

Shaft Input & Output 0.009Nm – 0.028Nm **6:1 - 18:1**



PR5



Part Number	Ratio	Efficiency at 1000 Rpm	Reflected Inertia at Input (kg.m ²)	Self 1) Locking Output
PR5-6	6:1	78%	6.04 x 10 ⁻⁹	✘
PR5-9	9:1	71%	5.99 x 10 ⁻⁹	✘
PR5-18	18:1	60%	5.96 x 10 ⁻⁹	✔

Material

Housing: AA15 Red Anodised Aluminium (6082-T6).

Shafts: 303 Stainless Steel.

Worm: 817M40(EN24) T Condition.

Wheel: 817M40(EN24) T Condition.

Bearings: Steel ZZ Shielded.

Performance

Weight: 0.032kg.

Backlash: ≈2°.

Max Input Speed: 4000 Rpm (short term).

Greased for life: Shell Nerita Grease HV.

1) Static only and may not be under vibration or other conditions of use.

Amount of locking effect may vary due to manufacturing processes etc.

Output Torque Nm

Rpm Input	Reduction Ratio		
	6:1	9:1	18:1
2000	0.009	0.009	0.009
1000	0.012	0.012	0.012
500	0.017	0.017	0.017
200	0.022	0.022	0.022
100	0.028	0.028	0.028

Other Info.

Input Shaft: RH as standard.

Testing in your applications is necessary.

You will need to assess duty, cycles and confirm gearbox suitability with your own calculations.

Torque figures are to be used for guidance only.



sales@rinomechanical.com



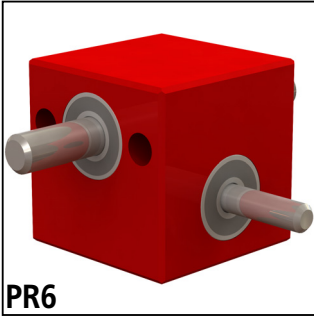
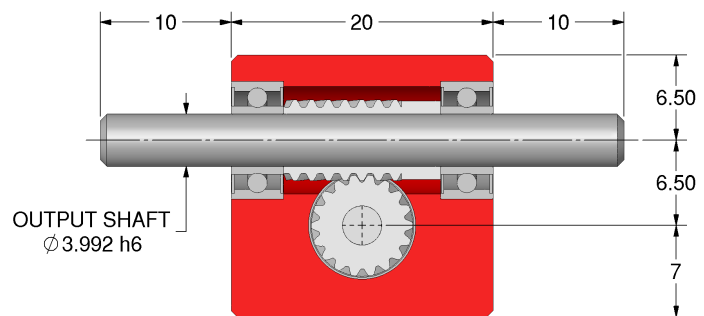
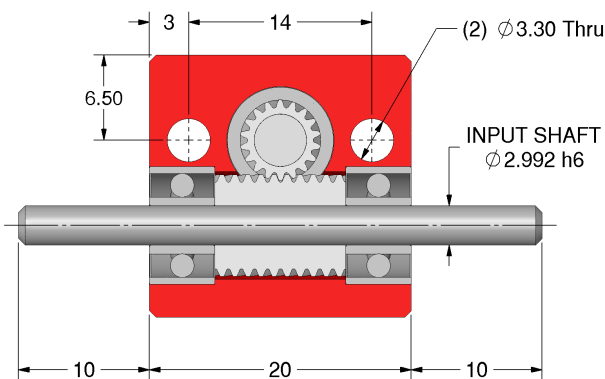
www.rinomechanical.com

rino

PR6e-cad
Drawings
Available

GEARBOXES

Miniature Precision Worm Gear Reducers

Shaft Input & Output 0.015Nm – 0.046Nm **1:1 - 30:1****PR6**

Part Number	Ratio	Efficiency at 1000 Rpm	Reflected Inertia at Input (kg.m ²)	Self ¹⁾ Locking Output
PR6-1	1:1	82%	4.10×10^{-8}	✗
PR6-5	5:1	80%	1.03×10^{-8}	✗
PR6-10	10:1	78%	9.35×10^{-9}	✗
PR6-15	15:1	71%	9.18×10^{-9}	✓
PR6-30	30:1	60%	9.07×10^{-9}	✓

Material

Housing: AA15 Red Anodised Aluminium (6082-T6).**Shafts:** 303 Stainless Steel.**Worm:** 817M40(EN24) T Condition.**Wheel:** 817M40(EN24) T Condition.**Bearings:** Steel ZZ Shielded.

Performance

Weight: 0.032kg.**Backlash:** ≈2°.**Max Input Speed:** 4000 Rpm (short term).**Greased for life:** Shell Nerita Grease HV.

1) Static only and may not be under vibration or other conditions of use.

Amount of locking effect may vary due to manufacturing processes etc.

Other Info.

Input Shaft: RH as standard.

Testing in your applications is necessary.

You will need to assess duty, cycles and confirm gearbox suitability with your own calculations.

Torque figures are to be used for guidance only.

Output Torque Nm

Rpm Input	Reduction Ratio				
	1:1	5:1	10:1	15:1	30:1
2000	0.015	0.015	0.015	0.015	0.015
1000	0.020	0.020	0.020	0.020	0.020
500	0.028	0.028	0.028	0.028	0.028
200	0.036	0.036	0.036	0.036	0.036
100	0.046	0.046	0.046	0.046	0.046

Toll Free!

**1-888-260-7466****516-867-5656**

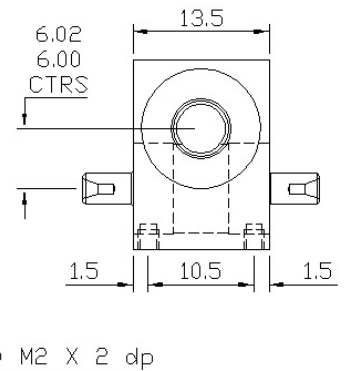
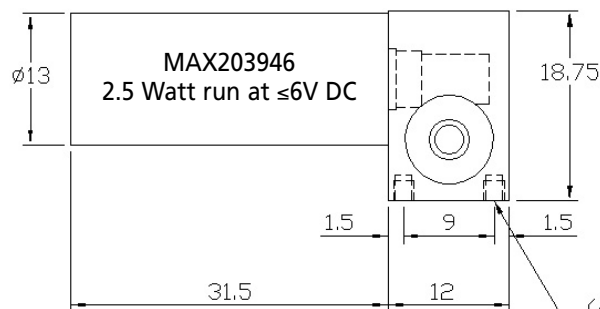
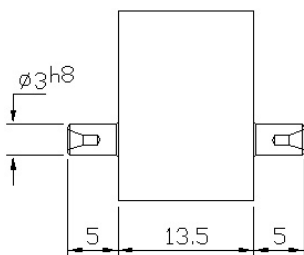
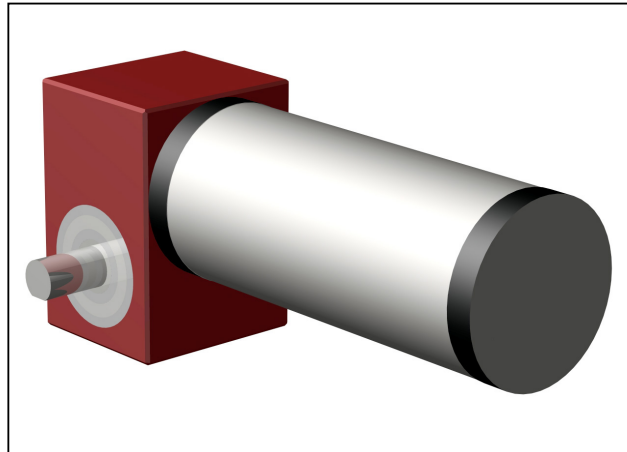
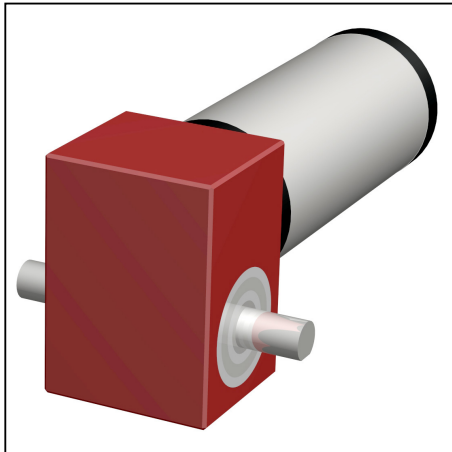
GEARBOXES

e-cad
Drawings
Available

PREM6

Miniature Precision Worm Gear Reducers

Fitted with Miniature DC Motor 0.036Nm



(4) M2 X 2 dp

Part Number	Ratio	Rated Output Torque Nm	Fitted Motor
PREM6-32	32:1	-	✘
PREM6-32-13	32:1	0.036	MAX203946

Part Number	Voltage (V)	No Load Speed (Rpm)	No Load Current (mA)	Nominal Current (mA)	Max Efficiency Nominal	Torque (mNm) Moment	of Inertia (gcm ²)
MAX203946	12	11,100	7	272	84%	2.6	0.507

Material

Gearbox Case: Aluminium 6082 T6

Gears: Steel 817M40 T condition

Motor

2 Pole Permanent Magnet Motor

Weight: 24g

Ambient Temperature Range: -20°C to +65°C (Max. Motor Temperature +85°C)



sales@rinomechanical.com



www.rinomechanical.com

rino